

# JEFFERSON REPORT

PUBLISHED BY THE JEFFERSON AMATEUR RADIO CLUB, INC. W5GAD

## November 2008

The next meeting will be held at East Jefferson Hosp., Domino Pavilion, Dreyfous 2. Please see [w5gad.org](http://w5gad.org) for the latest information.

General Meeting:  
November 20

Board Meeting:  
December 11

**Open clubhouse: none until further notice**

Tuesday Net: 9:00 P.M. on 145.37- (PL114.8), Alternate: 147.24+/444.000+ (PL114.8)

[www.w5gad.org](http://www.w5gad.org)  
e-mail: [w5gad@arrl.net](mailto:w5gad@arrl.net);  
Phone: 504-831-1613

Send newsletter items to: [w5ctv@arrl.net](mailto:w5ctv@arrl.net)  
Deadline: 2<sup>nd</sup> Friday of the month



## Early Mtg./Elections Upcoming

### November meeting one week early

Due to the fact that Thanksgiving falls on the 4<sup>th</sup> Thursday of the month, we have moved the November meeting up to November 20<sup>th</sup>. Al Corderman will do a presentation on the construction and use of a solar powered battery charging system that can be used to continuously power an emergency radio station. He will also bring his own Solar system to demonstrate. I have seen this in action and it is quite an impressive set up. Come out and join us in the Dreyfous 2 Meeting room of East Jefferson General Hospital at 7:30 PM.

### New Members

The following have applied for membership and will be voted on at the general meeting. Please note that the online application at [w5gad.org](http://w5gad.org) has been down and is now back online. If anyone has tried to apply recently and received no return email regarding dues payment or newsletter, then please resubmit the application.

Randy Hennigan, K5RRH, General, Kenner

John Wehrer Sr., KA5CSI, General, Metairie

Al Corderman, WB1EFN, General, New Orleans

### JARC Holiday party to be hosted by Rafael and Claudia Shabetai.

The JARC Holiday party and General Meeting will take place on Saturday, December 13 7:00 P.M., at the home of Rafael and Claudia Shabetai. The address is 4157 Beaujolais Dr, Kenner, LA. Please RSVP to 208-0858 or [shabetai@bellsouth.net](mailto:shabetai@bellsouth.net).

Please don't forget to sign up for the Pot Luck. If you don't want to cook, let us know we can order something extra and will ask you for a very small contribution.

### Elections coming in January

Elections are coming up in January. Paul Fogg, K5GVD and Jim Davis, KB5MFP have agreed to serve as the nominating committee. If you are interested in the management of your club please speak up and let them know that you are ready to serve. We will be electing 3 Board members and 4 officers this year so please do not hesitate to step up and get involved.

### CQ Bar-b-que a great success

If you missed the C QUE Barbeque then you just missed some of the best times had around the club in a long time. There was lots of food and good times had. Everyone who was there raved about the dinner and it seems as though there is a new event that will take place on a regular basis at the clubhouse. We had Chicken, Pork Fingers, home made burgers and fresh Cajun and Green Onion sausage. Jim brought some baked beans and with the addition of a few friends we all ate under the beautiful cool clear skies of the Wally Pontiff Playground. We will do this again. Stay tuned and don't miss it! Again, Thanks to Mike Villarubia and Paul and Steven Fogg for the use of their Barbeque pits.



# Clubhouse Renovations Progressing

The renovations of the clubhouse are progressing very well. We have had several things happen in the last 60 days and let's just say that the progress is amazing.



Patrick Barbot, KE5MEM of DS Refrigeration has been instrumental in acquiring the A/C system for the club. The New Orleans District Director of the Salvation Army provided the insulation for the building, Dave

Kleinatland, KE5BMS provided the network and telephone cable and Mike Ducote, W5MJD, continues to provide electrical equipment and expertise for the project.

Paul, K5GVD and Steve Fogg, N5VUZ have been very busy with excavation and help with trying to abate the water intrusion and with the help of Mike Villarubia, KE5VUI, the insulation has been about 90% installed. I also must include those folks who are always there to lend a hand in support of the chores that continue to be done around the building: Jim Davis, KB5MFP, Jerry Jatho, KE5LYK, Dick Dannenburg, W5RMX, Joe Glorioso, N5OZG, Johnnie Miller, N5AZA, Tom Miller, AC5TM, and Jarrod Villarubia, (Harmonic of Mike). Please forgive me if I have forgotten to mention you at this time. There has been a lot going on in and around the building and I may have forgotten. You know what they say.....the mind is the second thing to go as we age.

We should be picking up the paneling for the walls this week so if you would like to help give me a call and let me know. I would like to see us start off 2009 in the clubhouse!

-- Keith, W5KB

## General Upgrade Class in Works

We are seriously considering teaching a General Class license class in the beginning of 2009. If you are interested in taking the course you can contact us at [w5gad@arrl.net](mailto:w5gad@arrl.net). There has also been some interest in a Morse code class. We will introduce code with a half hour introduction and practice session before each of the General classes that will be taught. You are not required to take the code if you are not interested. It is just being presented for those who are interested in learning how to communicate using code.

## Ham of the Year Nominations Sought

It has been suggested that we recognize the member of the JARC who has gone above and beyond in support of the efforts of the club and its work to continue the promotion of the amateur radio service and its fellowship. If you would like to nominate someone for this award, submit your nomination with a brief narrative as to why this person should be recognized to Chris Vincent, [w5ctv@arrl.net](mailto:w5ctv@arrl.net).

## Online Practice Tests Available

Hamilton, KD0FNR, has developed online practice tests for the Tech, General, and Extra exams (<http://copaseticflow.blogspot.com/2003/03/amateur-radio-pages.html>). A unique feature of this set of exams is that there are links to articles that explain the answers. So, if you answer a question incorrectly, you can click on a link and then read an article on the topic. For example, for the the question

What is the approximate maximum range for signals using transequatorial propagation?

there is a link to the article, "[Long Path Propagation and the F Layer](#)." If there are no links, or you're not satisfied with the ones listed, you can add your own.

## Handy Reference

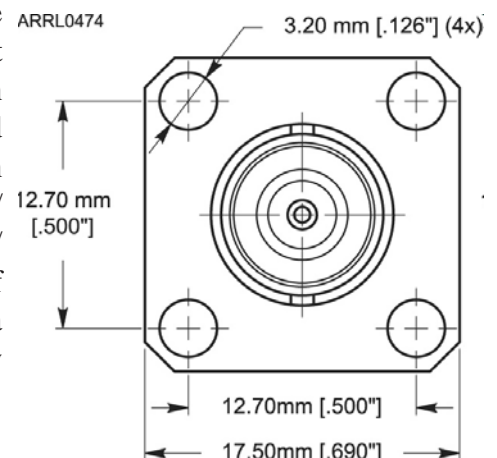
Download this condensed collection of handy data to help you through your next project.

How much current will AWG 14 wire handle?

How many turns does it take to get a 140 mH inductor?

What is the pinout for a TO-220 transistor?

Answer these and many other questions using the Handy Reference. The Handy Reference consists of two sides of an 8.5 x 11 inch sheet chock full of useful tidbits of reference data. It covers everything from the formula for capacitance to a wire table in a one page cheat sheet. So put down that data book and click on [www.arrl.org/news/files/HandyReference.pdf](http://www.arrl.org/news/files/HandyReference.pdf) to download a copy of the Handy Reference.



# December 2008

Sunday	Monday	Tuesday	Wednesday	Thursday	Friday	Saturday
30	1	2 9:00 p SELA/Coast Guard Auxiliary Net	3	4 8:00 p WARC Net 146.94	5	6
7	8	9 9:00 p SELA/Coast Guard Auxiliary Net	10 7:00 p WARC General Meeting at Picadilly's on Lapalco	11 7:30 p JARC Board Meeting 8:00 p WARC Net 146.94	12	13 7:00 p JARC Holiday Party/General Meeting
14	15	16 9:00 p SELA/Coast Guard Auxiliary Net	17	18 8:00 p WARC Net 146.94	19	20
21	22	23 9:00 p SELA/Coast Guard Auxiliary Net	24	25 8:00 p WARC Net 146.94	26	27
28	29	30 9:00 p SELA/Coast Guard Auxiliary Net	31	1 8:00 p WARC Net 146.94	2	3

**JEFFERSON AMATEUR RADIO CLUB • APPLICATION FOR MEMBERSHIP • PLEASE PRINT CLEARLY.**

Name \_\_\_\_\_ Callsign \_\_\_\_\_ Areas of interest: \_\_\_\_\_

Address \_\_\_\_\_

City, State, Zip \_\_\_\_\_ Occupation \_\_\_\_\_

License Class \_\_\_\_\_ Spouse's Name \_\_\_\_\_ E-mail address \_\_\_\_\_

Home Phone \_\_\_\_\_ Work Phone \_\_\_\_\_ Ever been issued a Notice of Apparent Liability? Yes \_\_\_ No \_\_\_

Membership Desired: Full (\$30) \_\_\_\_\_ Family (\$15) \_\_\_\_\_ Associate (\$30) \_\_\_\_\_ Student (\$15) \_\_\_\_\_

Family membership is full membership plus \$15 for each additional up to a maximum of \$60. Attach a separate application for each family member.

Do you wish to not disclose your contact information with other members of the club? Yes \_\_\_ No \_\_\_

Signature \_\_\_\_\_ Date \_\_\_\_\_ Sponsor \_\_\_\_\_ Date \_\_\_\_\_

**Please enclose dues and mail to: JARC, P.O. Box 73665, Metairie, LA 70033**

## JARC Board Of Directors 2008

President:	Keith	W5KB	289-1504	
Vice President:	Dave	KE5BMS	812-5482	
Secretary:	Mary	WB5IOE	885-8667	
Treasurer:	Dick	W5RMX	888-2878	
At Large: 1 Year #1:	Bob	WD5BJW	885-7965	
	#2:	Bob	AE5RN	393-1075
	#3:	Mike	W5MJD	464-5817
2 Year #1:	Rafael	W5BAI	471-6122	
	#2:	Don	WB5QAZ	455-4448
	#3:	Johnny	N5AZA	

## WARC News

Herb Robin and I visited the 147.150 repeater site and discovered it unplugged from the AC mains. A replug later had it working again (provided I corrected the PL tone in my handheld). So, here's the deal - The 147.150 repeater is back on the air with it's original 127.3 PL tone and positive offset. Please use it and report any quirks to either Herb or me.

--Steve, N5SC

### Christmas Party

The Westside ARC Christmas Party will take place at the Westwego Senior Center on 4th. Street in Westwego from 1 pm to 4 pm on Sunday December 7, 2008.

## DX News

POSSIBLE NEW ONES COMING (Postponed!). It would seem that the new DXCC entities from the Netherlands Antilles are on hold for now. Guido van den Berg, PA0GMM, 1st Vice-President of the "Vereniging voor Experimenteel Radio Onderzoek Nederland" (VERON), informs OPDX that no new ones will take place on December 15th, 2008. He states, "Status of Netherlands Antilles will not be changed before 2010 (even 2010 is not guaranteed)."

E5, NORTH COOK ISLANDS. Aki, JA1KAJ, will be active as E51QQQ from Manihiki Atoll (OC-014) between November 18th and December 9th. Activity will be on 80-10 meters using CW and SSB. QSL via his home callsign, direct or by the Bureau.

XV4, VIETNAM (Update/IOTA Op). Hans-Peter, HB9BXE, will be active as XV4BX from Phu Quoc Island (AS-128) between November 22nd and December 30th. Activity will be on 160-10 meters, mainly CW, using 100 watts only into a two element vertical and windom antennas. He will also be an entry in the CQWW DX CW Contest (November 29-30th). QSL via EB7DX.

## CQ Magazine Calls on FCC to Resume Amateur Enforcement

"CQ" magazine is calling on FCC Enforcement Bureau Chief Kris Monteith to move swiftly to name a successor to



Riley Hollingsworth, K4ZDH, as Special Counsel for Amateur Radio, and to bring FCC enforcement back to the ham bands.

Writing in his "Zero Bias" editorial in the December 2008 issue, "CQ" Editor Rich Moseson, W2VU, noted that the Commission not

only has failed to name a successor to Hollingsworth, but that not a single amateur enforcement action has been taken since his retirement this past July. At that time, the editorial noted, the amateur radio community was assured that the Commission's dedication to enhanced enforcement in the Amateur Service remains strong. However, the FCC's total inaction since July suggests otherwise.

"This is deeply disturbing and of grave concern," wrote Moseson, adding, "It would be a tragedy, and a travesty, if the FCC were to go back on its promise to be there for us and allowed amateur enforcement to once again drop off the radar."

The need for continuing amateur enforcement was reinforced after the issue went to press when "CQ" was informed of an outburst of racist diatribes on 20 meters, including the transmission of recordings of a Hitler rally and Nazi marching songs. "This type of behavior was all too common before 'Sheriff' Riley came to town a decade ago," noted Moseson, "and it quickly disappeared once it became obvious that someone in authority was paying attention. But now, only a matter of months since Riley handed in his badge, it has become obvious to these hams that they are once again free to do whatever they please without fear of any consequences."

"The FCC must get back into the amateur enforcement business, and it must do so quickly," says Moseson, "before the situation once again gets out of control. Enforcement Bureau Chief Monteith must act promptly to name a successor to Riley Hollingsworth and assure amateurs that they have not once again been abandoned by the Commission."

The full text of Moseson's editorial is online at <http://www.cq-amateur-radio.com/>, linked from the December issue highlights.